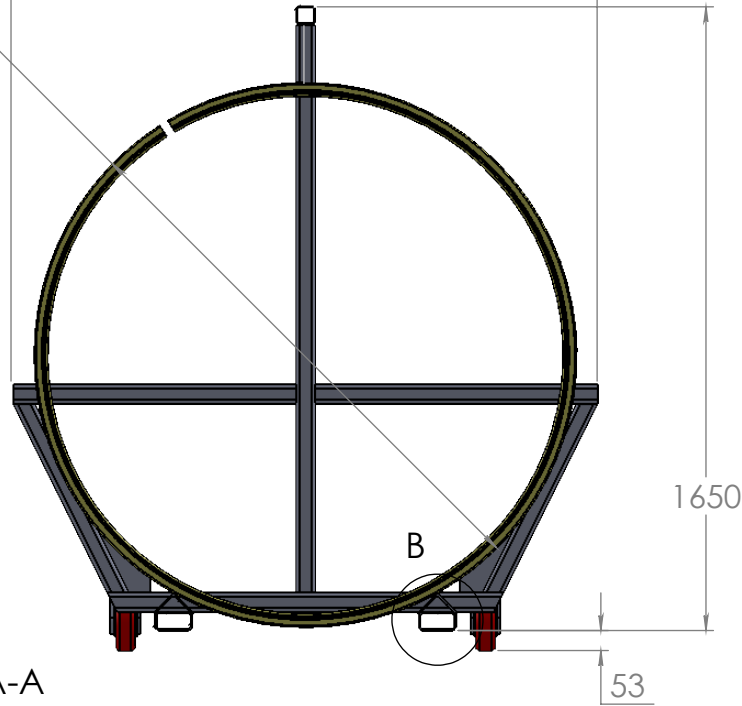


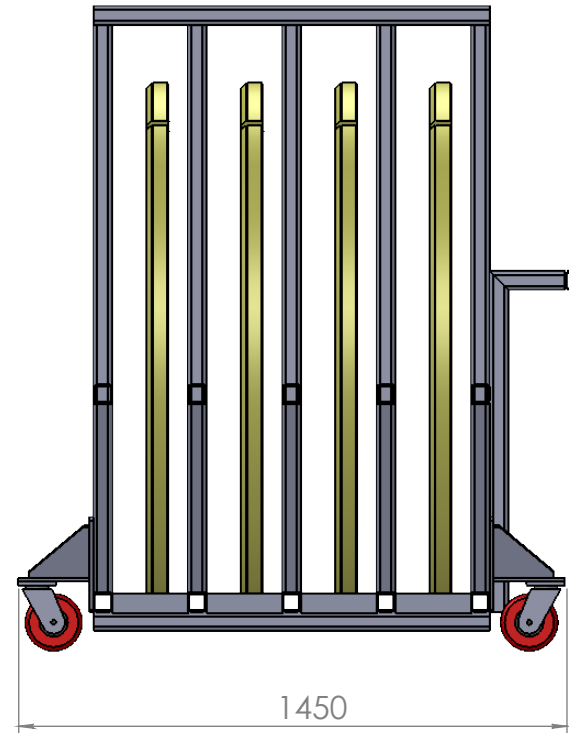
57" Lock Ring
 $\phi 1438.2$

1550



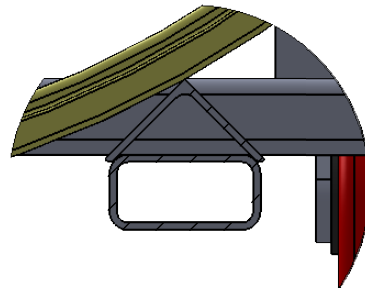
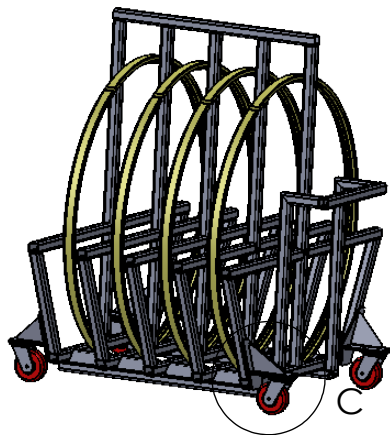
SECTION A-A

A ↙

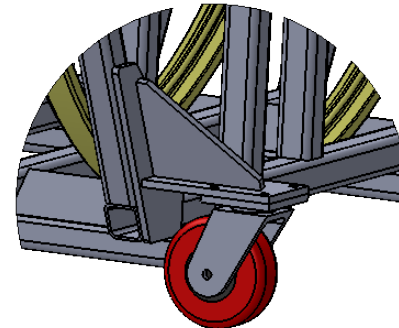


1450


A ↙



DETAIL B
 SCALE 1 : 5



DETAIL C
 SCALE 1 : 10

DO NOT SCALE DRAWING		J/N
		Perth WA Australia (08) 9274 4443
TITLE: Mobile Lock Ring Holder x4		
DRAWN:	WILLIS ENGINEERING PTY LTD	by AJS
DWG NO.	MLRH-150-x4 Display	A4
SCALE: 1:20	SHEET 1 OF 1	28/11/2016 8:12:22 PM